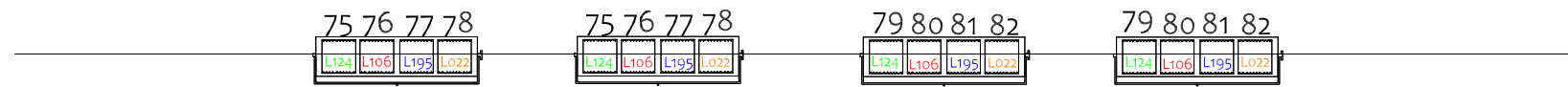
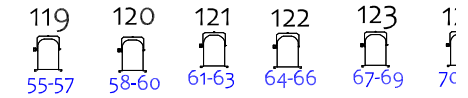




LINE #15 LX5



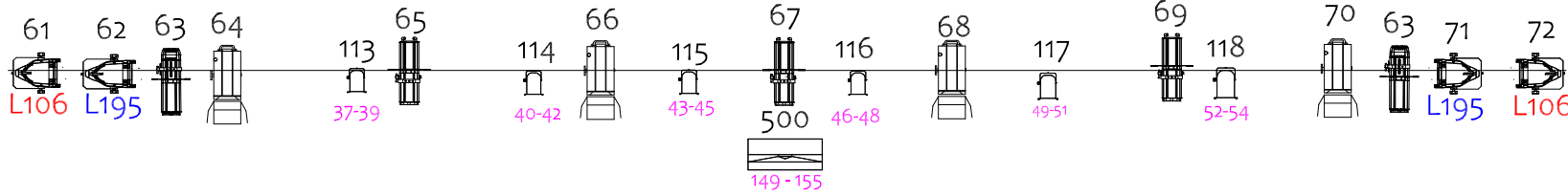
FLOOR / FLY PACKAGE



# SWAN HILL TOWN HALL

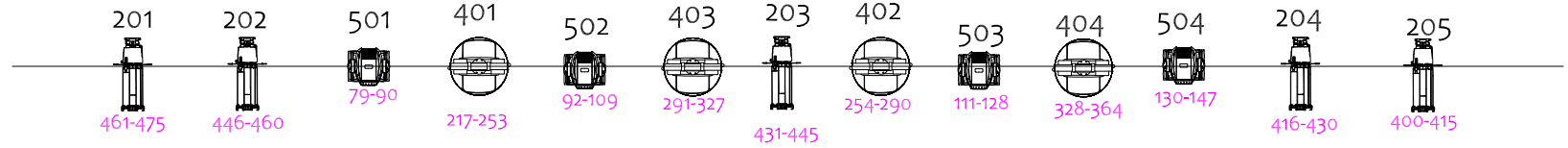
PERFORMING ARTS & CONFERENCE CENTRE

LINE #13 LX4



THIS DRAWING:  
STANDARD LX PLOT 2023

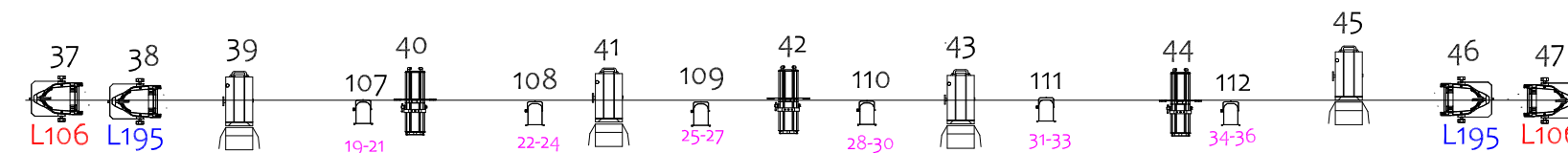
LINE #11 LX3



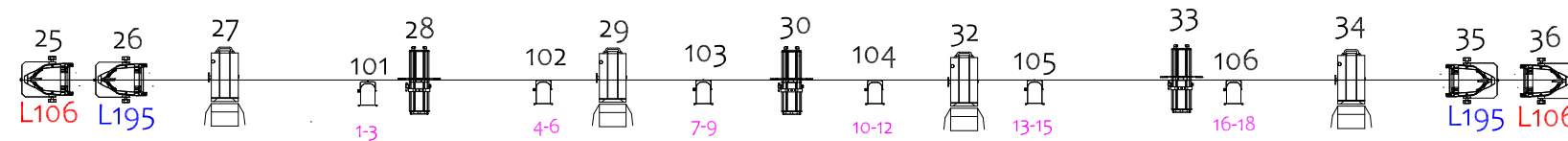
LEGEND:

- SELECON PACIFIC 12 - 28
- SELECON PACIFIC 23 - 50
- SELECON ACCLAIM 24 - 44
- SELECON ACCLAIM 18 - 34
- SELECON 1.2K FRESNEL
- SELECON 4 WAY CYCLORAMA LIGHT
- ETC 600W MULTIPAR
- CHAVUET RGBW LED 26 DEGREES PROFILE
- ROBE ROBIN 600
- GLP IMPRESSION SPOT ONE
- TOURPRO LED HYBRID
- PRO SHOP RGB LED PAR CAN
- MIRRORBALL
- SPARK LED RGBW STROBE

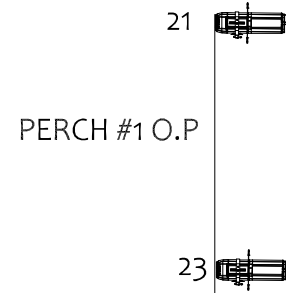
LINE #8 LX2



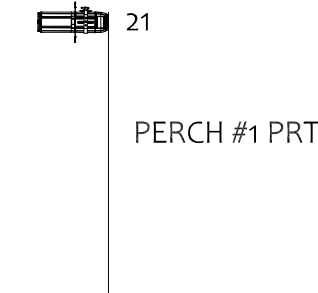
LINE #2 LX1



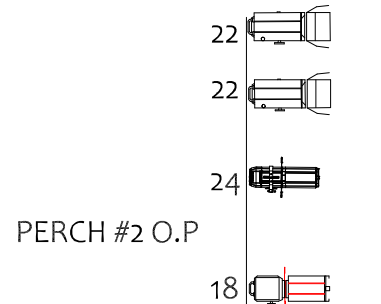
TOP OF PERCH



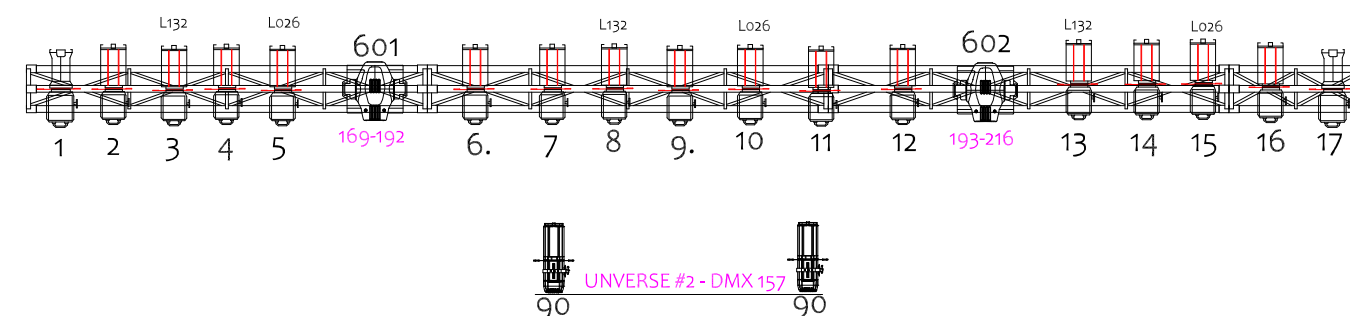
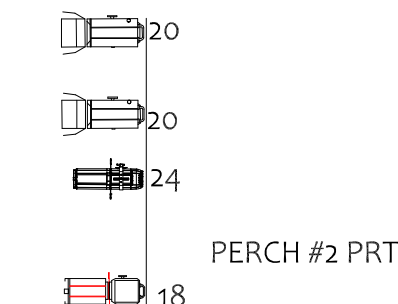
TOP OF PERCH



TOP OF PERCH

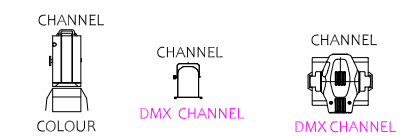


TOP OF PERCH



F.O.H. UNDER BALCONY REAR

KEY:



- NOTES:
- ANALOGUE FIXTURES - UNIVERSE #1
  - STATIC DIGITAL FIXTURES ONSTAGE - UNIVERSE #2
  - MOVING DIGITAL FIXTURES F.O.H - UNIVERSE #2
  - MOVING DIGITAL FIXTURES ONSTAGE - UNIVERSE #2
  - FLOOR / FLY PACKAGE - UNIVERSE #2
  - SWEFOG HAZER - CHANNEL 98 - DMX 365
  - SWEFOG SMOKE MACHINE - CHANNEL 99 - DMX 366
  - MIRRORBALL UNDER HUNG ON F.O.H TRUSS.

DESIGN - Peter MacDonald - TECHNICAL CoORDINATOR

DRAW DATE : 15/8/2023